

PLAN  
SCALE 1:50

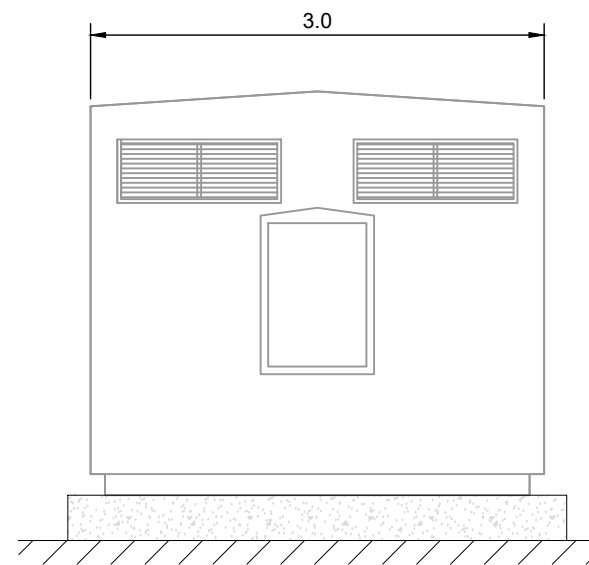
NOTES:

1. ALL DIMENSIONS ARE IN METRES UNLESS OTHERWISE STATED.
2. DETAILS SHOWN ARE TYPICAL AND ARE SUBJECT TO DETAILED DESIGN.
3. ALL DIMENSIONS ARE APPROXIMATE AND SUBJECT TO DETAILED DESIGN.

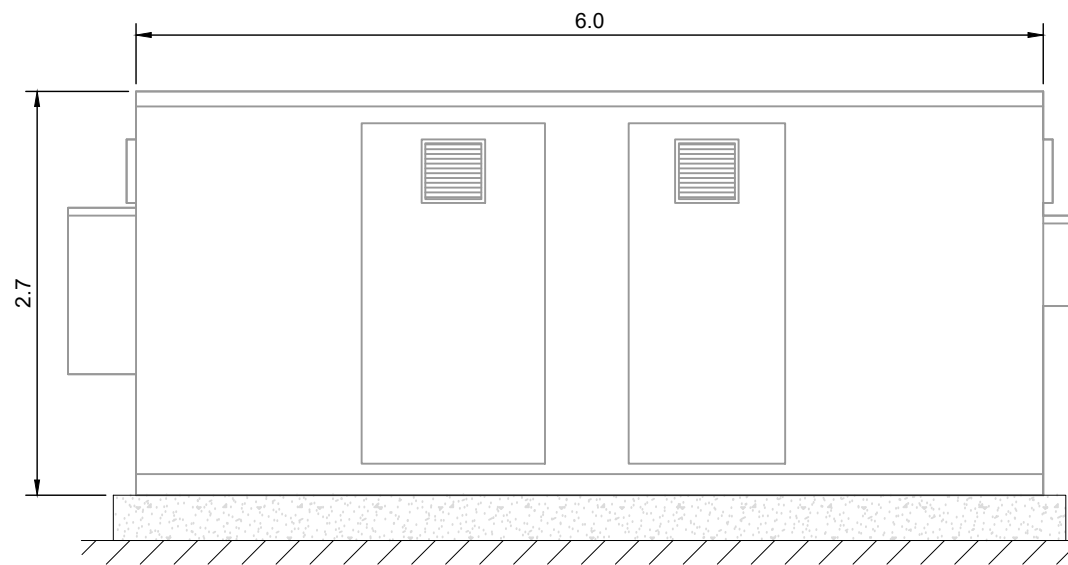
SHEET 1 OF 2



SCALE 1:50



ELEVATION B  
SCALE 1:50



ELEVATION A  
SCALE 1:50

HARMONIC FILTER

1	BM	AP	PD	2023-12-09	FIRST ISSUE
ISSUE	DRAWN	CHKD	APPD	DATE	REVISION NOTES
PURPOSE PLANNING					COORDINATES N/A
SCALE 1:50 @A3					DATUM N/A
LAYOUT DRAWING N/A					T-LAYOUT NO N/A
PROJECT TITLE DUNMILL ENERGY STORAGE FACILITY					
DRAWING TITLE HARMONIC FILTER					
RES DRAWING NUMBER 05104-RES-SUB-DR-PT-002					REV 1

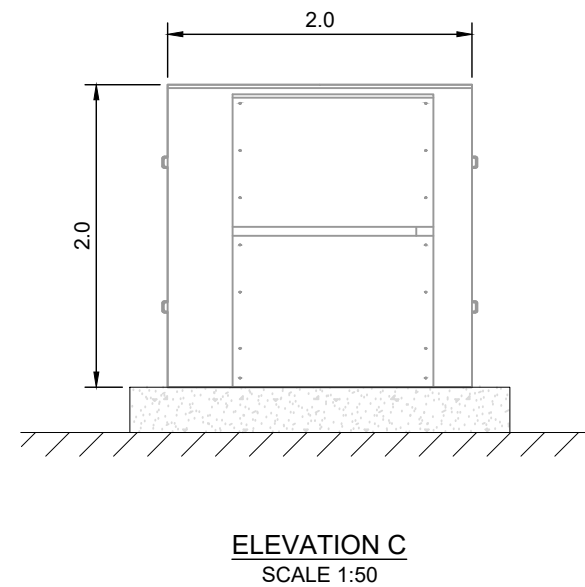
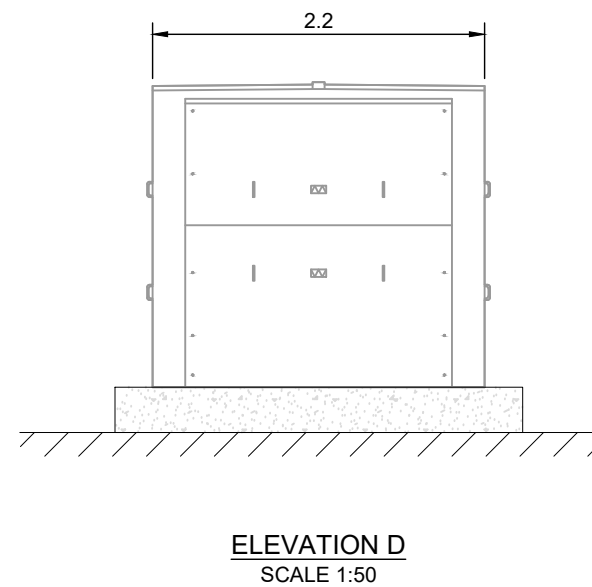
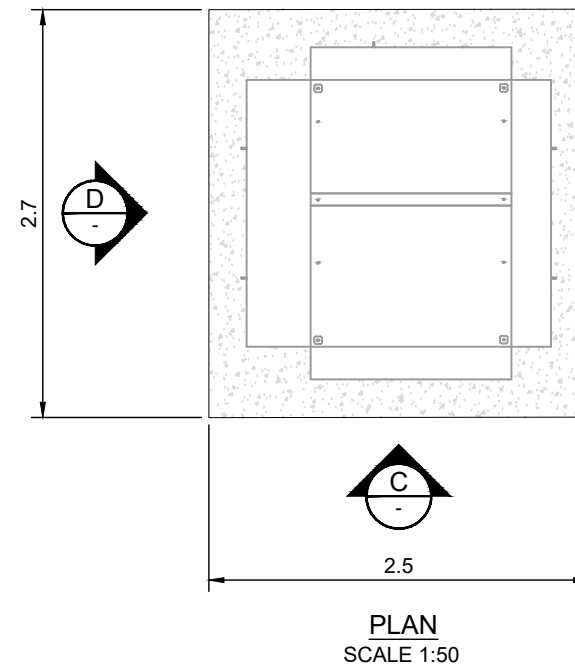
THIS DRAWING IS THE PROPERTY OF RENEWABLE ENERGY SYSTEMS LIMITED AND NO REPRODUCTION MAY BE MADE IN WHOLE OR IN PART WITHOUT PERMISSION



BEAUFORT COURT,  
EGG FARM LANE,  
KINGS LANGLEY,  
HERTS WD4 8LR, UK  
TEL +44 (0) 1923 299200  
WWW.RES-GROUP.COM

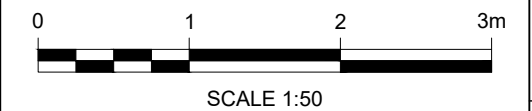
NOTES:

1. ALL DIMENSIONS ARE IN METRES UNLESS OTHERWISE STATED.
2. DETAILS SHOWN ARE TYPICAL AND ARE SUBJECT TO DETAILED DESIGN.
3. ALL DIMENSIONS ARE APPROXIMATE AND SUBJECT TO DETAILED DESIGN.



RESISTOR

SHEET 2 OF 2



1	BM	AP	PD	2023-12-09	FIRST ISSUE
ISSUE	DRAWN	CHKD	APPD	DATE	REVISION NOTES
PURPOSE PLANNING					COORDINATES N/A
SCALE 1:50 @A3					DATUM N/A
LAYOUT DRAWING N/A					T-LAYOUT NO N/A
PROJECT TITLE DUNMILL ENERGY STORAGE FACILITY					
DRAWING TITLE HARMONIC FILTER					
RES DRAWING NUMBER 05104-RES-SUB-DR-PT-002					REV 1
THIS DRAWING IS THE PROPERTY OF RENEWABLE ENERGY SYSTEMS LIMITED AND NO REPRODUCTION MAY BE MADE IN WHOLE OR IN PART WITHOUT PERMISSION					



BEAUFORT COURT,  
EGG FARM LANE,  
KINGS LANGLEY,  
HERTS WD4 8LR, UK  
TEL +44 (0) 1923 299200  
WWW.RES-GROUP.COM